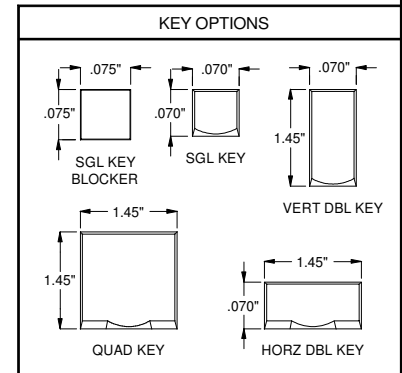
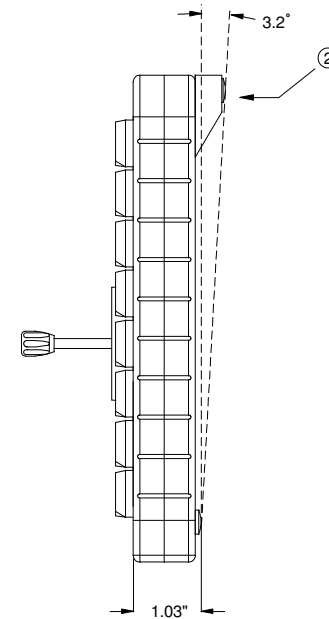
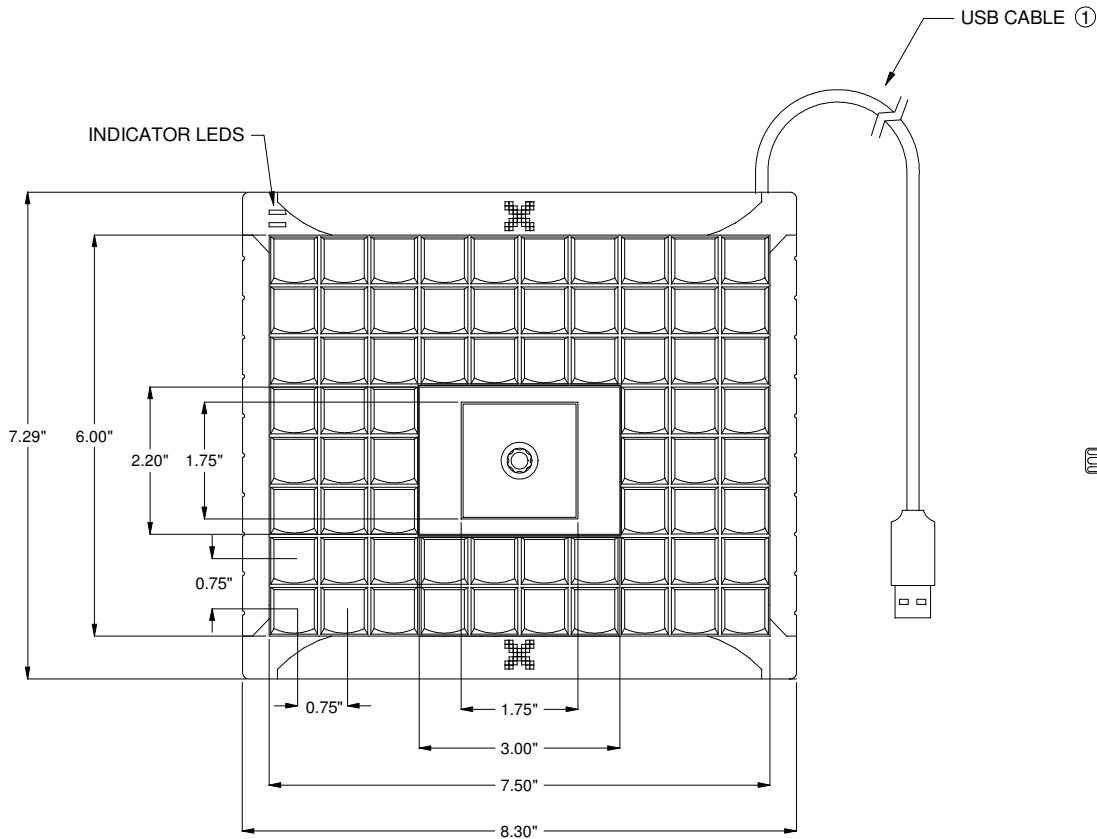



- ① LOA = 54"
- ② INCLUDES TWO REMOVABLE FEET



REV	DESCRIPTION	DATE

<b>PI ENGINEERING</b>		 <small>"The No Slogan Company"</small>	101 INNOVATION PARKWAY WILLIAMSTON, MI 48895 U.S.A. PH# 1-517-655-5523 WWW.PIENGINEERING.COM	
TOLERANCES UNLESS OTHERWISE SPECIFIED X.XX = ± 0.010 X.XXX = ± 0.005			THIS DRAWING AND THE INFORMATION CONTAINED ARE THE PROPERTY OF PI ENGINEERING AND IT IS NOT TO BE REPRODUCED, COPIED OR USED IN ANY WAY DETRIMENTAL TO THE INTEREST OF PI ENGINEERING	
		SCALE: NTS		
		SIZE: A4		

DWG BY	APPR BY	DATE
M.L.R.		21 Aug 2013
JOB NO.:		
CUSTOMER:		
PRODUCT: XK-68 Joy Stick		
TITLE: PRODUCT DETAIL DRAWING		